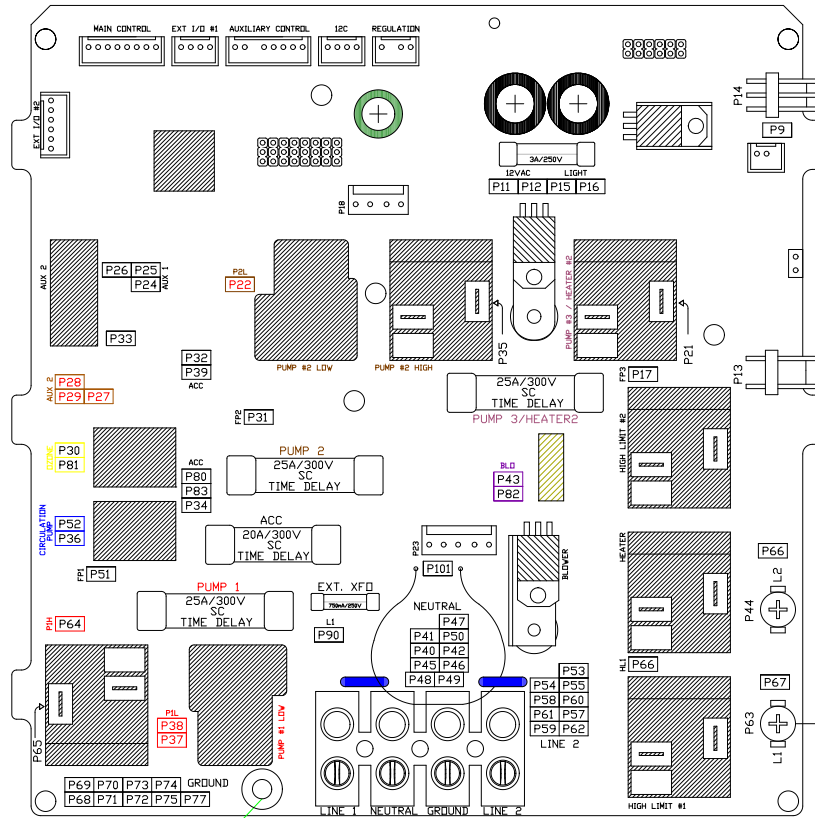


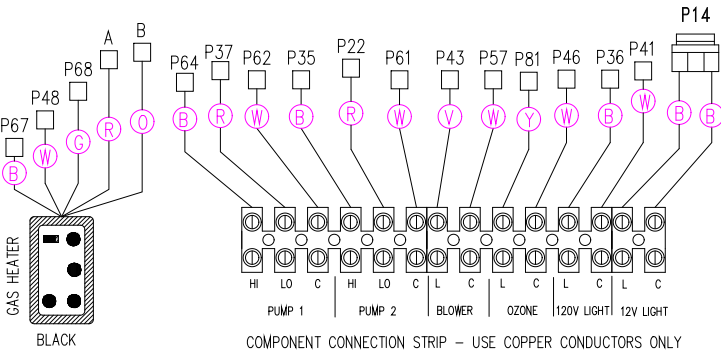
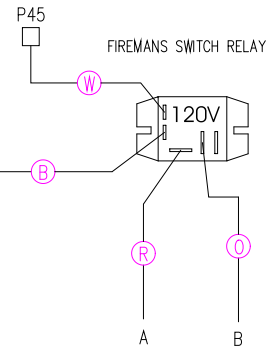
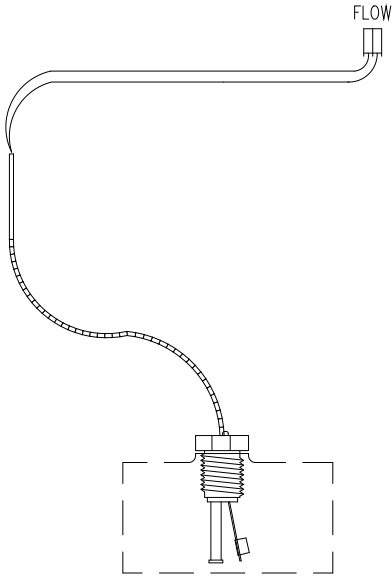
LEGEND

- - 1/4" QUICK CONNECT
- ▢ - 1/4" PIGGYBACK
- ⊞ - FORK CONNECTOR
- - RING CONNECTOR
- ◻ - SOCKET CONNECTOR
- △ - PIN CONNECTOR

33-0027-R1



USE COPPER CONDUCTORS ONLY
MAIN INPUT SERVICE
SEE MANUAL

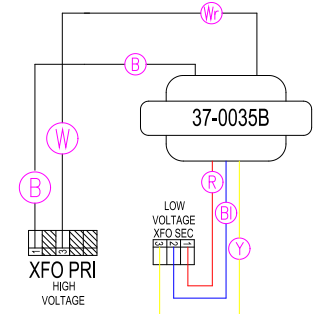


COMPONENT CONNECTION STRIP - USE COPPER CONDUCTORS ONLY



****ALL COMPONENTS MUST BE GROUNDED****

13-0014A Housing - 19.25"



HYDRO-QUIP
 CORONA, CA (909) 273-7575

Manufacture Notes:

Dwg. No.
G822A0-KLPQY-J

Drawn MBS
 Date 03.16.11
 Diagram No. 5161

Wire Color Code

- B - Black
- G - Green
- Br - Brown
- Bl - Blue
- R - Red
- V - Violet
- O - Orange
- W - White
- Y - Yellow
- Gr - Gray